

Briton

2400 Series

Door controls



Features

The Briton 2400 Series is a precision manufactured cam action, slide channel door closer in a compact concealed unit.

With the closer body mounted within the top of the door, and the slide track within the head frame (or vice-versa), the Briton 2400 Series offers high resistance to abuse and offers a highly aesthetic solution, as it is fully concealed when the door is closed.

Providing exceptional ease of use by reducing the resistance encountered when opening the door.

- Compact extruded aluminium body with cam action technology
- High quality hydraulic fluid with built-in temperature compensation
- Needle roller bearings provide increased bearing load for efficient operation and reliability
- Aluminium slide track 23mm wide
- Powder coated steel track arm with nylon runner
- Adjustable closer strength 2 - 4
- Separate closing speed and latch action adjustment
- Optional mechanical hold-open available: 80° - 120°angle

Warranties	
Mechanical	10 years
Finish	allegion.co.nz/finisheswarranty

Specification guide

Series	Function	Finish
Briton Concealed Cam Action Closer Strength 2-4.....2420	Track.....T	Silver.....SE

1. Series

Select the desired series e.g. Briton cam action closer strength 2-4 pull side BNT-2320B

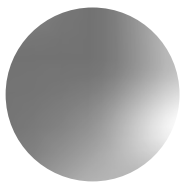
2. Function

Select the desired function e.g. Track BNT-2320BT

3. Finish

Select the desired finish e.g. Silver BNT-2320BT-SS

Finish



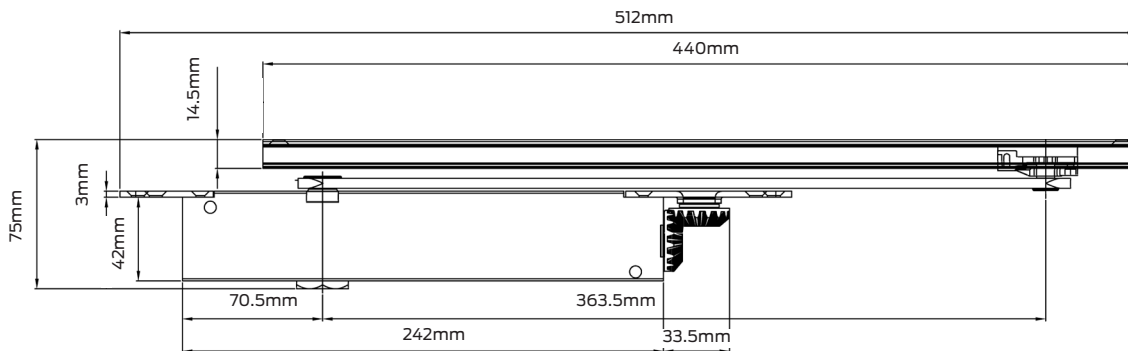
SE

Silver

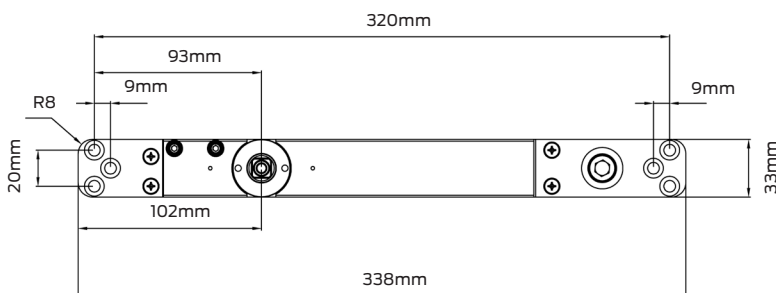
Specifications

Door type	Timber or metal
Door size	Max width: 850mm – 1100mm Max weight: 40kg – 80kg
Applications	Regular – pull side mount Stop face – push side mount
Adjustment controls	Closing speed Latching speed
Strength	2-4 adjustable

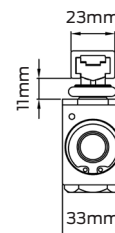
Front



Top



Side



Regulating controls

The Briton 2400 has independent regulators to control:

Closing speed

Adjustment to increase or decrease the speed at which the door closes. This allows the appropriate momentum to close the door in a safe and secure manner. Closing speed adjustment operates from the maximum opening to 15°

Latching speed

The latching speed allows the door to close quietly and firmly. It can be adjusted to increase or decrease the speed at which the door finally closes. This assists the final stage of the closing cycle to help overcome stubborn latch bolts or air pressure conditions. Alternatively the latching speed can be decreased to cushion the door into the frame. The latching speed adjustment operates from 15° to closing. A further option to increase the latching power is to reverse the arm bracket shoe

Functions

Regular

For applications where the door must fully close after each opening

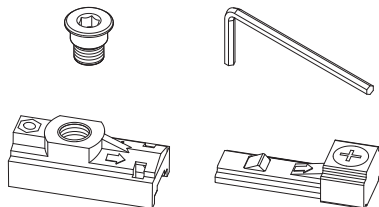
Hold open

Suitable for doors where the door may need to be left in a hold open position. The hold open function can be set to hold open at a single point. Hold open closers can not be used on fire doors

2400 Series accessories

Hold open conversion kit

Allows doors to be held open at desired position. Not to be used on fire doors.



Cushion stop

Optional cushion limit stay for standard applications to assist slowing door in opening cycle



Flush fixing plate

Allows body of closer to be fixed flush with the top of the door. Ideal for hollow metal doors.

